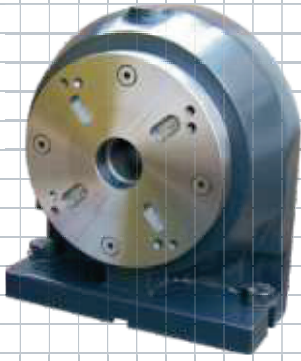




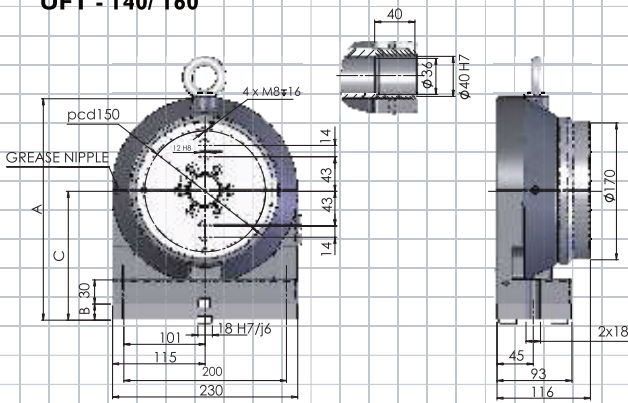
Accessories



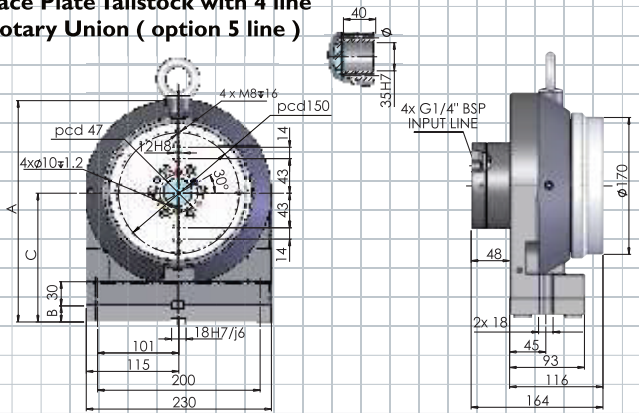
Dimensional Diagrams

Face Plate Tailstock

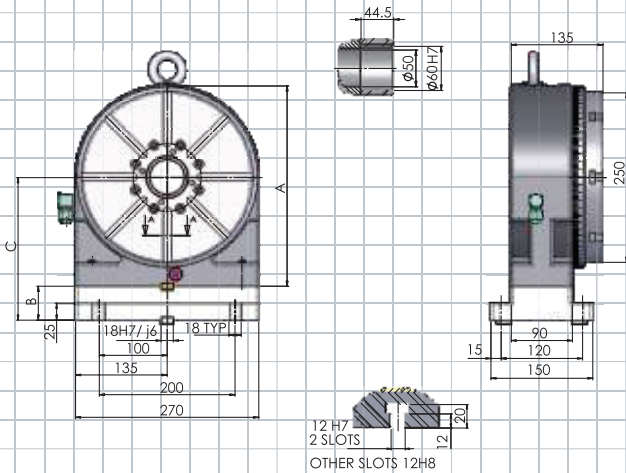
UFT - 140/ 160



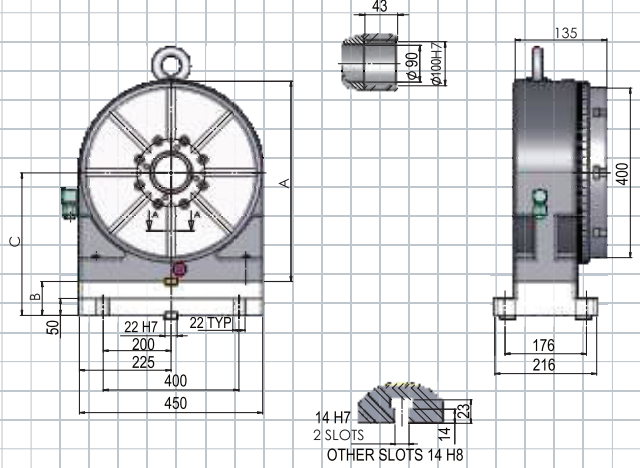
Face Plate Tailstock with 4 line Rotary Union (option 5 line)



UFT - 210/ 230



UFT - 310/ 325



Model	For Rotary Table	A	B	C	Clamping Torque		Weight Kgs
					Pneu@5bar	Hyd@30bar	
UFT-140	URH-201	255	0	140	200Nm	500Nm	30
UFT-160	URH-251	275	20	160	200Nm	500Nm	32
UFT-210-H	URH-321	295	50	210	NA	600Nm	65
UFT-230-H	URH-401	295	70	230	NA	600Nm	70
UFT-310-H	URH-501	480	75	310	NA	2000Nm	185
UFT-325-H	URH-631	480	90	325	NA	2000Nm	190

NA: Not Applicable